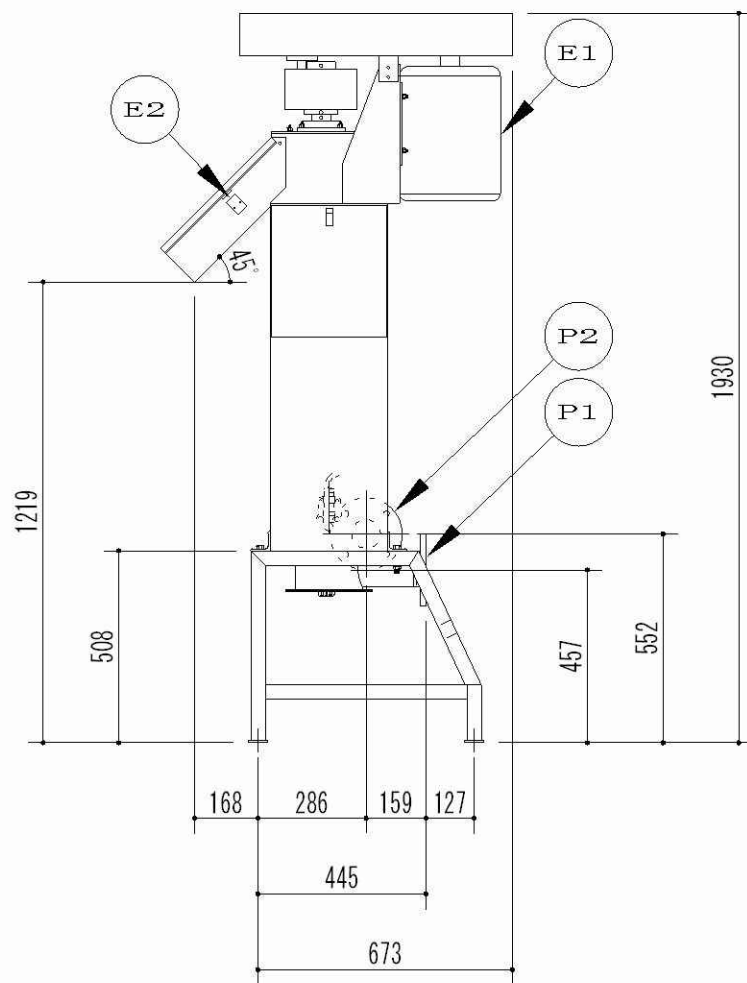


PLAN VIEW

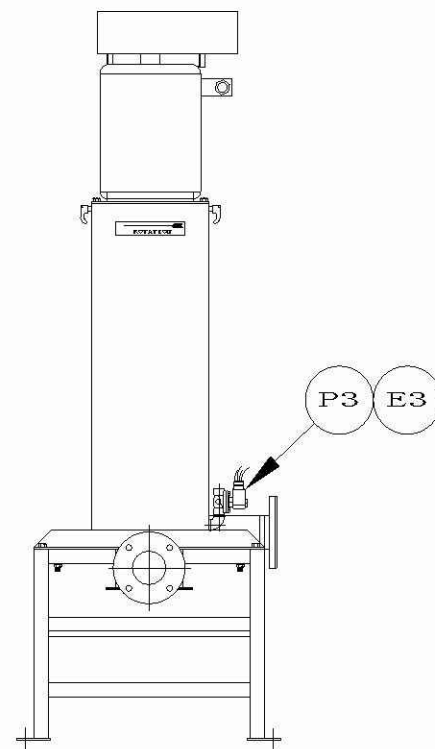
MACHINE INSTALLATION CONNECTION CHART

ALL FLANGED PIPE CONNECTIONS ARE ACCORDING TO ANSI STANDARD B 16.5.

CONNECTION	DIMENSION	SERVICE	COMMENTS
E1	—	SOM-A-PRESS DRIVE MOTOR	—
E2	—	CHUTE LIMIT SWITCH	110 VAC
E3	—	RINSE SOLENOID VALVE	—
P1	3"	SLURRY INLET	FLANGED
P2	3"	PRESSATE OUTLET	FLANGED
P3	1/2"	FRESH WATER RINSE	FNPT



ELEVATION VIEW



SIDE VIEW

記号

SANIX 株式会社サニックス
Establishment Sanitation

承認 検図 製図
伊藤 大橋 大橋

名称
ソマプレス脱水機 (PB-6D) 外形・寸法図
DATE 2008.09.03 SCALE 1/20 NO. A-101488